

XRC 60-40P

X-RAY CONTROL SYSTEM

PARCELS AND LUGGAGE



Professional multi-energy X-ray system for the control of **packages and parcels and baggage** of medium-small size in general; allows the identification of **organic and inorganic materials**, including **explosives and drugs** and the identification of **weapons, trigger devices** and dangerous objects that can create security risks.

The nature of the materials that make up the scanned objects is represented by a predetermined color code:

organic materials in orange, metallic materials in blue, inorganic materials in green and non-penetrable materials in black.

The representation of the baggage is **without shadow areas**, and it is possible to automatically signal in real time (with a moving belt) the presence of **dangerous objects** (guns, knives, hacksaws, etc.) with a settable threshold.

XRC 60-40P is a professional X-ray system certified by **ENAC** (National Agency for Civil Aviation).

PHYSICAL PROPERTIES

Tunnel Dimensions:	61 x 42 cm. (LxA)
Overall Size:	147 x 87 x 120 cm. (LxPxH)
Total Weight:	455 kg.
Conveyor Height:	73 cm.
Conveyor Load Capacity:	165 kg. Evenly Distributed
Conveyor Speed:	0,20 mt/sec.
System Power:	230VAC +/- 10% / 60-50 Hz

STANDARD FEATURES

Programmable Function Keys
Parcel Counter
Date and Time Display
Virtual Threat Image Projection (TIP)
Organic/Inorganic Threat Alarm
Operator Training Program (OTP)
Self Diagnosis
Generator Timer
Automatic Stop Conveyor

MAIN FIELDS OF APPLICATION

XRC 60-40P is ideal for checking packages, parcels and small baggage no larger than cm. 61x42, in risk areas including:

- Palaces of Justice
- Penitentiary institutes
- Embassies and border crossings
- Government Offices

XRC 60-40P

X-RAY CONTROL SYSTEM

PARCELS AND LUGGAGE

X-RAY GENERATOR & IMAGE PERFORMANCE

Steel Penetration:	37 mm guaranteed; 39 mm typical
Wire Resolution:	38 AWG guaranteed; 40 AWG typical
Anode Voltage:	170kV, operating at 147kV
Tube Current:	0,7 mA
Beam Direction:	Vertically upward
Cooling:	Oil and forced air cooling

COMPUTER SPECIFICATIONS

Processor:	Intel Core i5 (or superior)
Monitor:	color 24" LED
Memory:	4GB RAM min.
Video Card:	2GB min.
Hard Drive:	1TB min.
USB Port:	6 ports min.
Operating System:	Linux

OPERATING ENVIRONMENT

Operating Temperature:	-20° > 50° C
Storage Temperature:	-20° > 50° C
Relative Umidity:	10% > 90% non condensing

OPTIONAL ACCESSORIES

- External UPS (For system)
- Operator Console (Open-Closed/Adjustable/I-stand)
- 21,5" - 27" Flat Monitor
- Input / Output Rollers
- Test Kit (STP/ASTM)
- Protective Cover
- Search Table
- Tray Return System (Motorized/Gravity)
- Inclined Conveyor
- Ultrasonic Rat Repellent
- Radiation Meter

HEALTH AND SAFETY

HEALTH AND SAFETY

All SecurSCAN X-Ray products meet all applicable international health and safety regulations.

US FDA Federal Standard 21CFR 1020.40

Health and Safety at Work Act 1974-

compliant 6: Available

Film Safety: ISO 1600 / 33 DIN

CE Compliance: Certified

FCC & IEC Compatibility: Available

IP 20 Safety: Certified

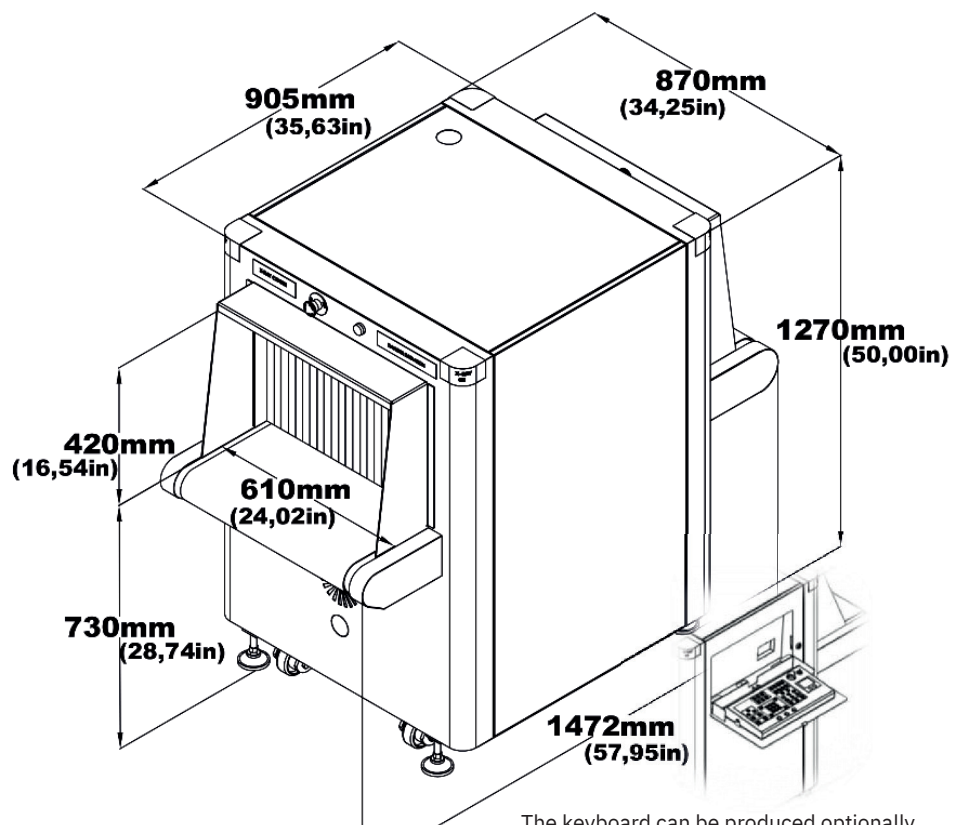
Maximum level of radiation the exterior panels come in contact with is 0.1 mR/hour

STANDARD IMAGE PROCESSING FEATURES

- Perfect View (Detail Enhancement) (PV)
- Edge Enhancement (EE)
- Pseudo Color (PS)
- Organic Materials (OM)
- Inorganic Materials (IM)
- Black & White (B/W)
- Inverse Colors (IN)
- High Penetration (HP)
- Variable Edge Enhancement (+E -E)
- Variable Density (+D -D)
- Variable Gamma (+G -G)
- Variable Color Separation (+C -C)
- Zoom (64x)
- Sniper Zoom
- Recall Previous Images
- Manual/Automatic Archive
- Annotated Archive
- Multi Energy Viewer (4 - 6 Color)
- Atomic Number Display (Z Value)

OPTIONAL FEATURES

- Barcode Reader System
- External Camera Archiving
- Remote Viewing Station
- Recheck Station
- Network Supervisory System (NSS)
- Remote Access Connection
- Smart Card Login



The keyboard can be produced optionally as integrated into the device.